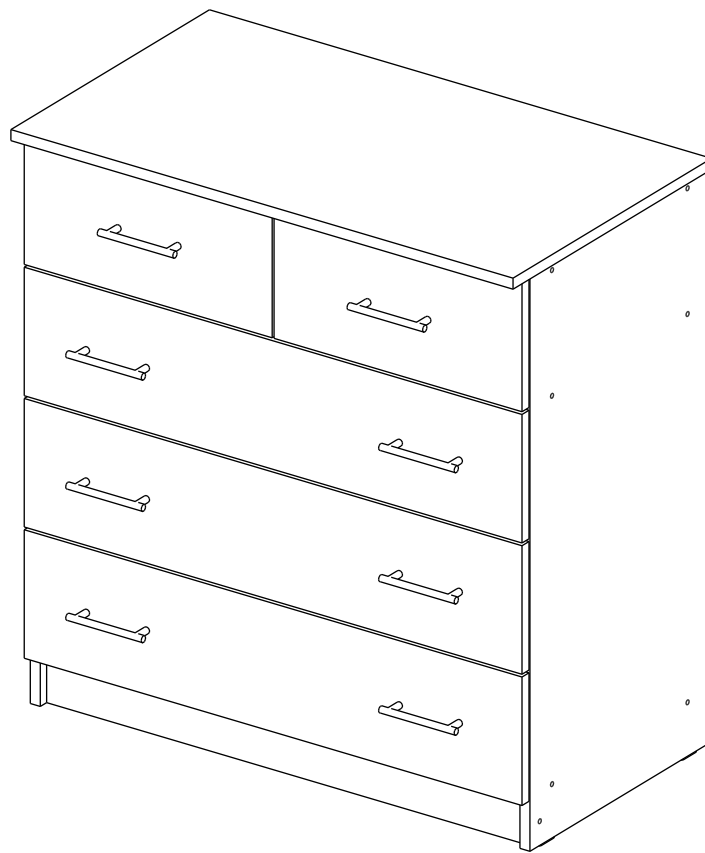
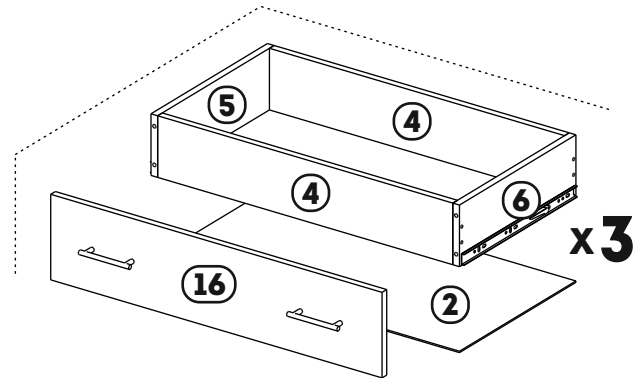
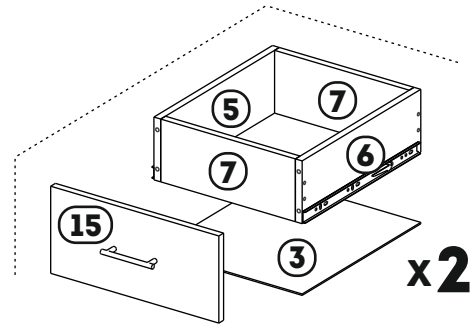
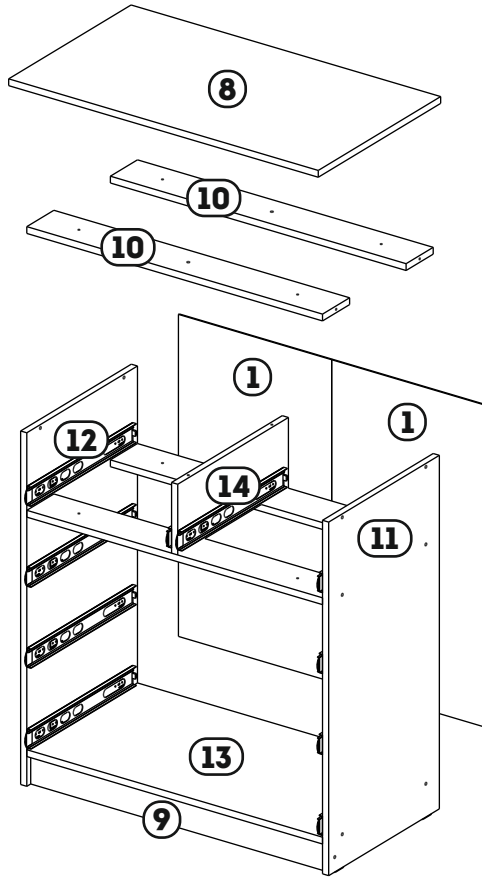
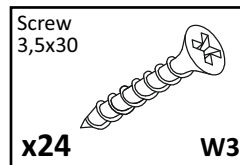
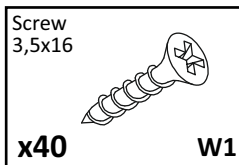
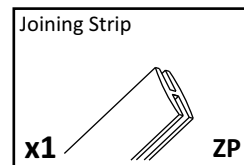
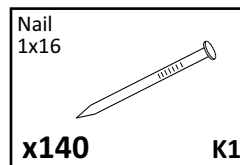
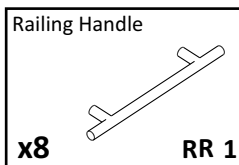
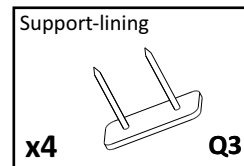
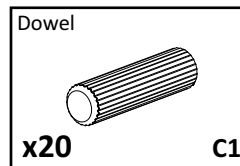
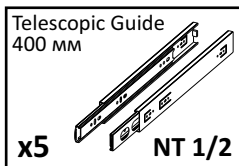
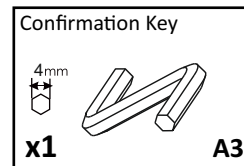
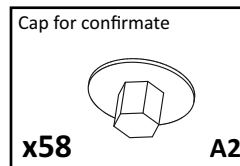
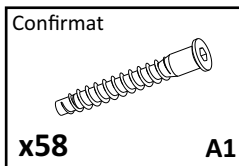


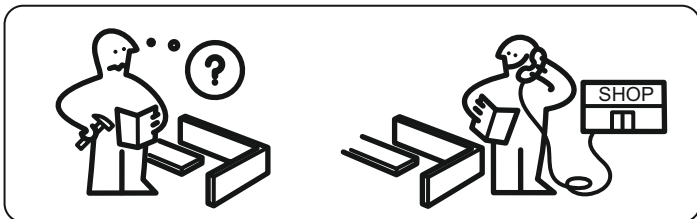
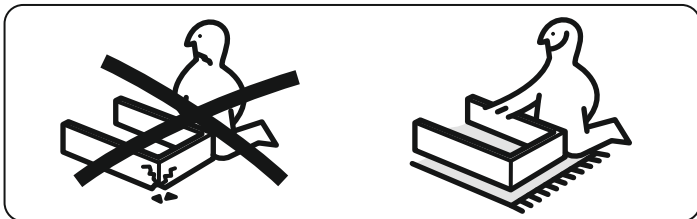
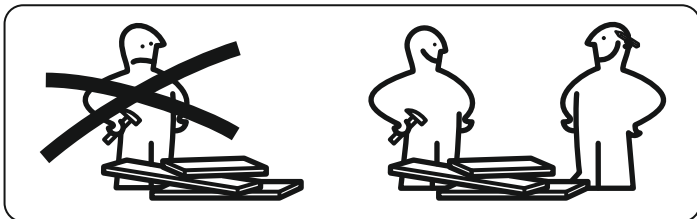
361-000041





No	a*b	X	Pack
1	756x398	2	1/2
2	742x400	3	1/2
3	350x400	2	1/2
4	710x134	6	2/2
5	400x134	5	2/2
6	400x134	5	2/2
7	134x318	4	2/2
8	804x454	1	1/2
9	768x70	1	1/2
10	768x101	4	1/2
11	830x411	1	2/2
12	830x411	1	2/2
13	768x411	1	1/2
14	166x411	1	1/2
15	186x397	2	1/2
16	186x797	3	1/2





GENERAL TECHNICAL INSTRUCTIONS FOR FURNITURE ASSEMBLY

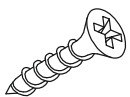
- CHECK COMPATIBILITY OF PARTS AND ACCESSORIES BEFORE ASSEMBLY.
- FOR FURNITURE ASSEMBLY, WE RECOMMEND USING THE SERVICES OF QUALIFIED SPECIALISTS.
- DO ASSEMBLY ON A SURFACE COVERED WITH CLOTH OR CARDBOARD TO PREVENT SCRATCHES.

CARE AND MAINTENANCE OF FURNITURE

- KEEP THE FURNITURE FROM PROLONGED CONTACT WITH WATER OR HOT STEAM.
- ENSURE SUFFICIENT DISTANCE FROM ELECTRICAL APPLIANCES AND HEATERS.
- IF THERE IS DIRTY ON THE FURNITURE, REMOVE IT WITH A DAMP CLOTH AND THEN WIPE IT DRY. DO NOT USE ABRASIVE MATERIALS.

1

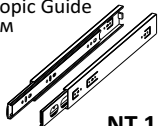
Screw
3,5x16



x20

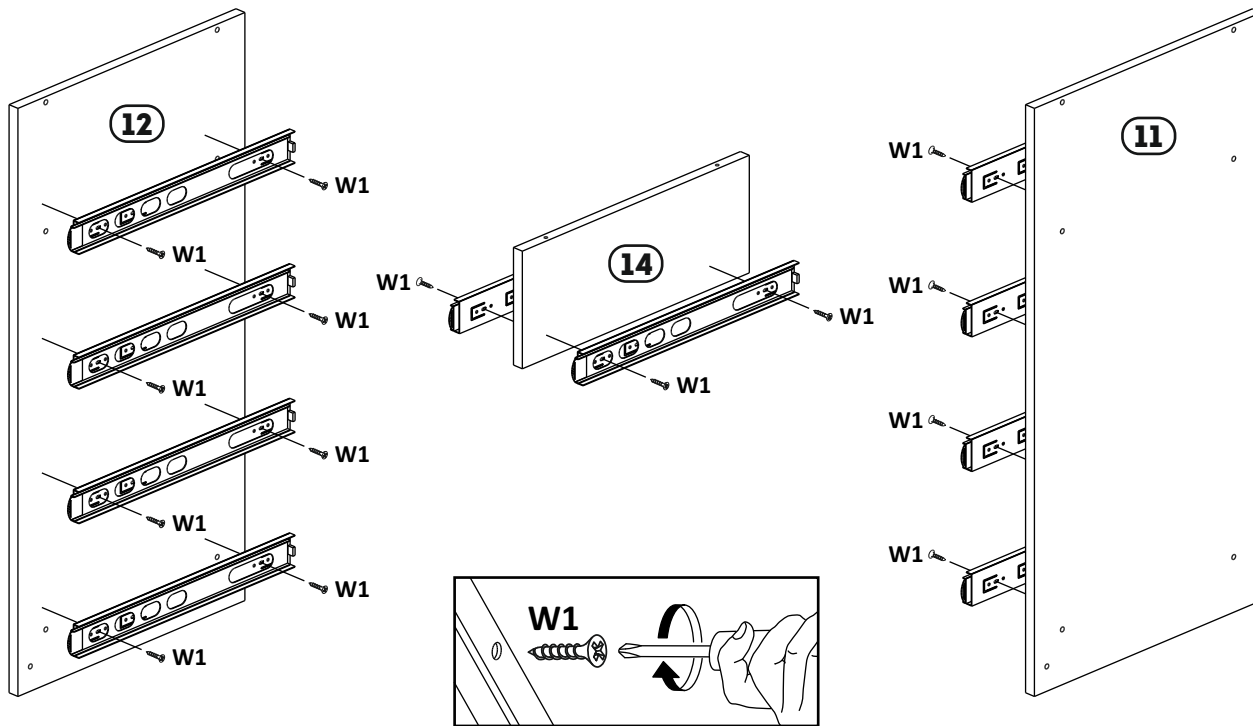
W1

Telescopic Guide
400 mm



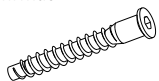
x5

NT 1

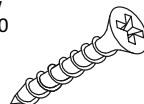
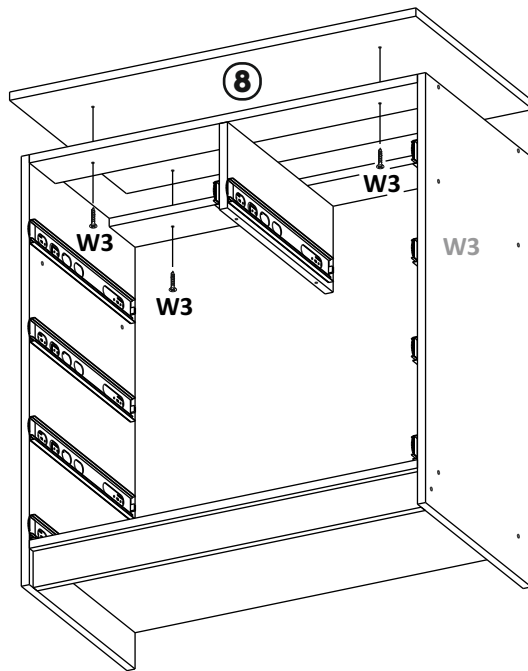
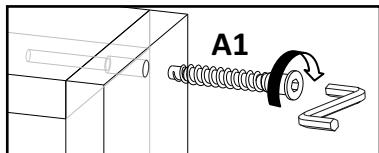
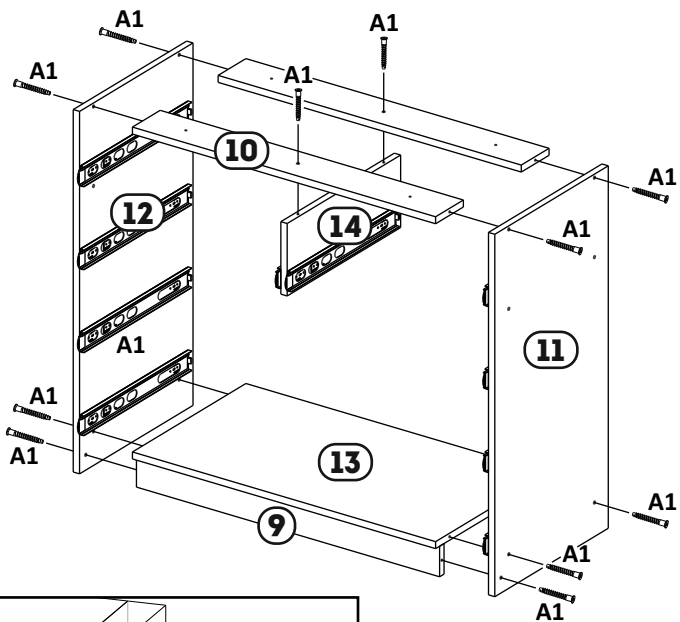


2

Confirmat

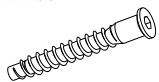
**x12****A1**

Cap for confirmate

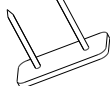
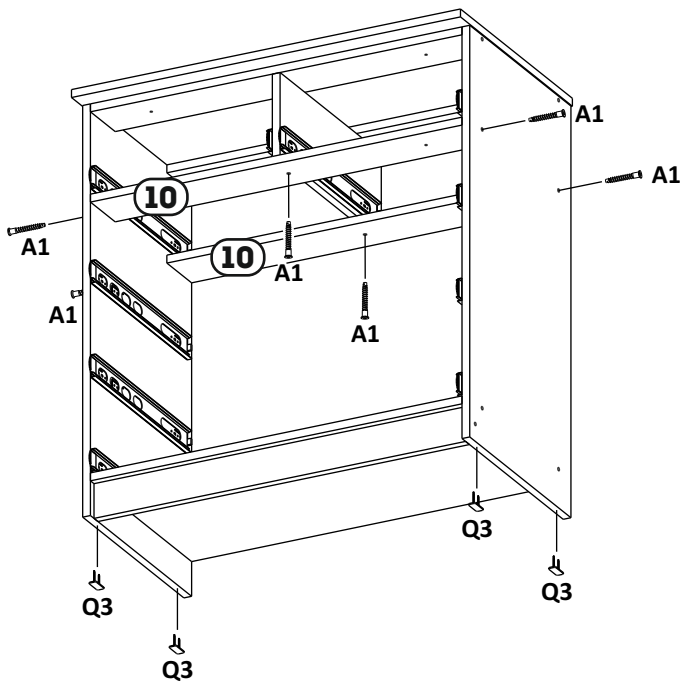
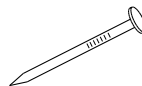
**x12****A2****3**Screw
3,5x30**x4****W3**

4

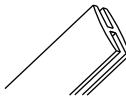
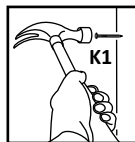
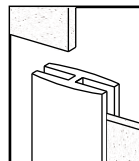
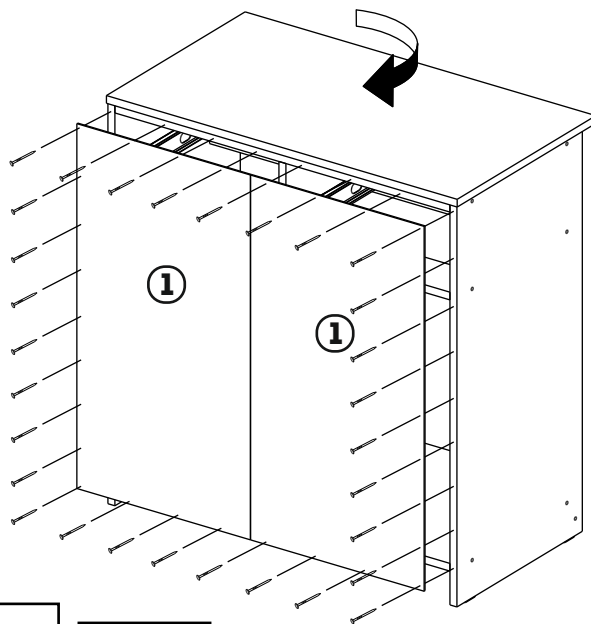
Confirmat

**x6****A1**

Support-lining

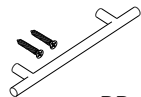
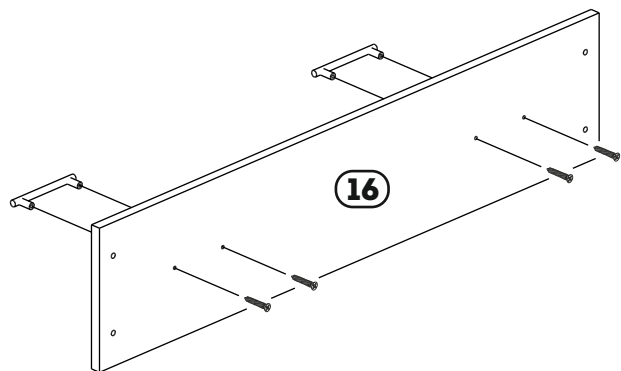
**x4****Q3****5**Nail
1x16**x28****K1**

Joining Strip

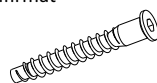
**x1****ZP**

6

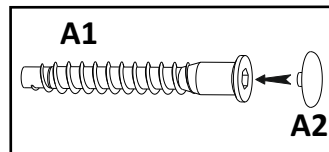
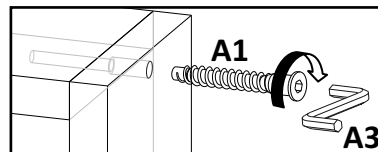
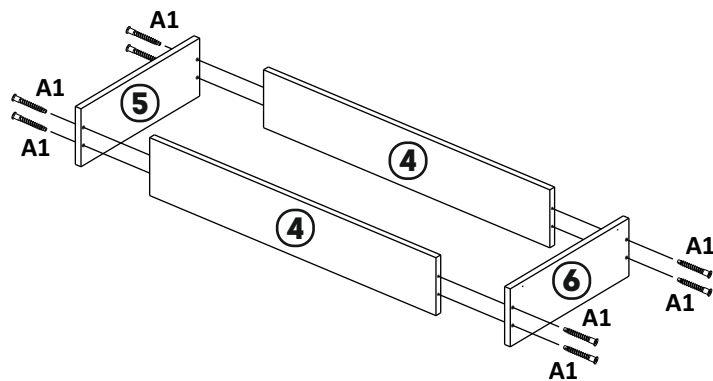
Railing Handle

**x2****RR 1****16****7**

Confirmat

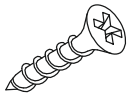
**x8****A1**

Cap for confirmate

**x8****A2**

8

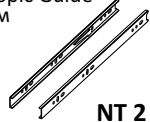
Screw
3,5x16



x4

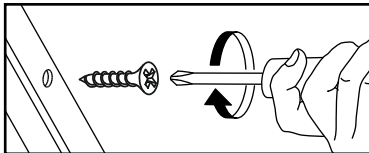
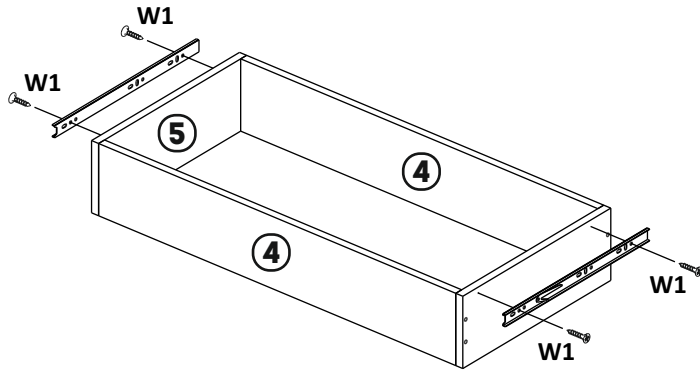
W1

Telescopic Guide
400 mm



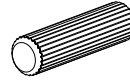
x1

NT 2



9

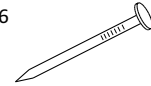
Dowel



x4

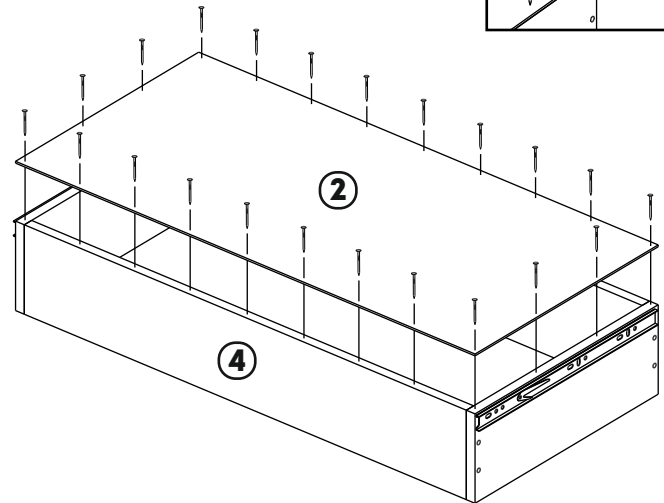
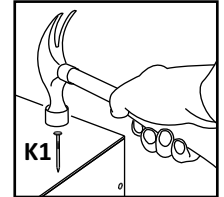
C1

Nail
1x16



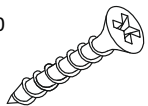
x22

K1



10

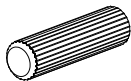
Screw
3,5x30



x4

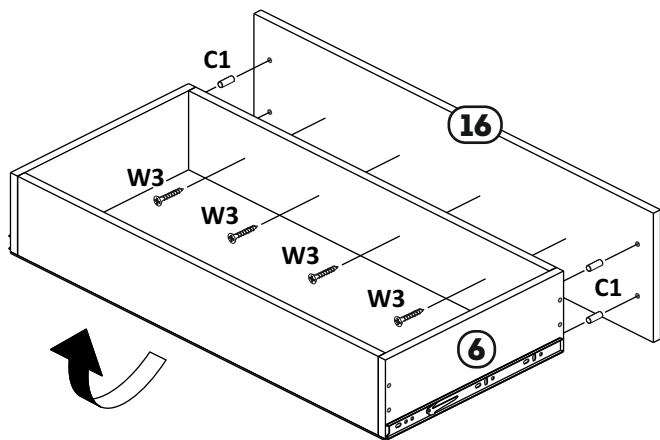
W3

Dowel



x4

C1



11

